

AVC-PRT91FT
2.1 MP PINHOLE LENS PIR TYPE CAMERA



2.1MP HD-TVI PINHOLE LENS PIR TYPE CAMERA

2.1 MP PINHOLE LENS PIR TYPE CAMERA

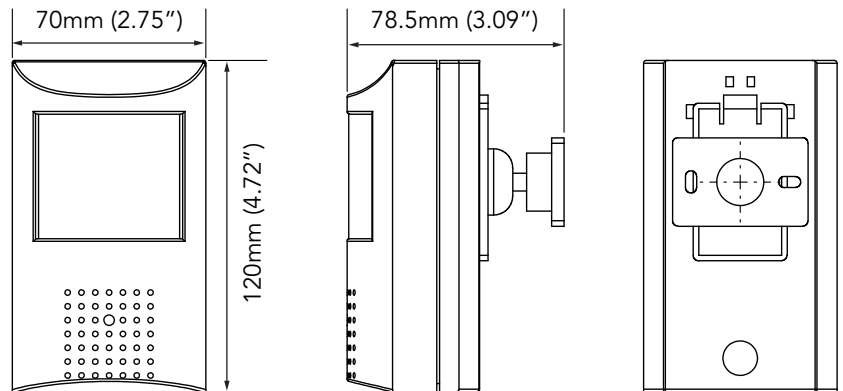
The AVYCON AVC-PRT91FT camera is a 2.1MP HD-TVI Pinhole Lens PIR Type Camera. This camera includes a 3.7mm Pinhole Lens. Also standard with this series is the ability to control OSD Menu remotely, along with a dual video-out for HD-TVI / Analog.

FUNCTIONS

- TVI Solution
- 1/2.9" Progressive Scan CMOS
- 3.7mm Megapixel Pinhole Lens (ICR)
- Video Output: HD 1080P @ 30fps / 25fps
- 2DNR / 3DNR / Smart NR / Sens-up / Digital Zoom etc.
- Support UTC Function to Remote Control OSD Menu
- Dual Video-Out (HD-TVI / Analog)
- DC 12V
- Indoor Only

DIMENSIONS

Unit : inch (mm)



AVC-PRT91FT
2.1 MP PINHOLE LENS PIR TYPE CAMERA

SPECIFICATIONS

GENERAL	
Image Sensor	1/2.9" Progressive Scan CMOS
Resolution	2.1MP
Lens	Fixed 3.7mm Lens
Sync. System	Internal Sync.
HD-TVI Resolution	1920 x 1080
Horizontal Field of View	80°
OSD Menu	Yes (Support Coaxial)
Video Output	TVI / CVBS: 1.0Vp-p 75Ω
S/N Ratio	>45dB (max 70dB)
Working Environment	14°F ~ 140°F (-10°C ~ 60°C)
Storage Temperature	24.8°F ~ 176°F (-4°C ~ 80°C)
Power Requirement	DC 12V
Weight	120g



AVYCON[®]

Copyright © AVYCON. All rights reserved. Specifications and pricing are subject to change without notice.

phone: 949-752-7606
email: info@avycon.com
social: @avycon_aivo
website: avycon.com